



PO Box 2007, 1300 First Street
 Cosmopolis, WA 98537
 (360) 532-9230 Phone (360) 532-9215 Fax

WATER HEATER INSTALLATION

Water heaters shall be anchored or strapped to resist horizontal displacement due to earthquake motion. Strapping shall be at points within the upper 1/3 and lower 1/3 of its vertical dimensions. At the lower point, a minimum distance of 4" shall be maintained above the controls with the strapping. UPC 508.2

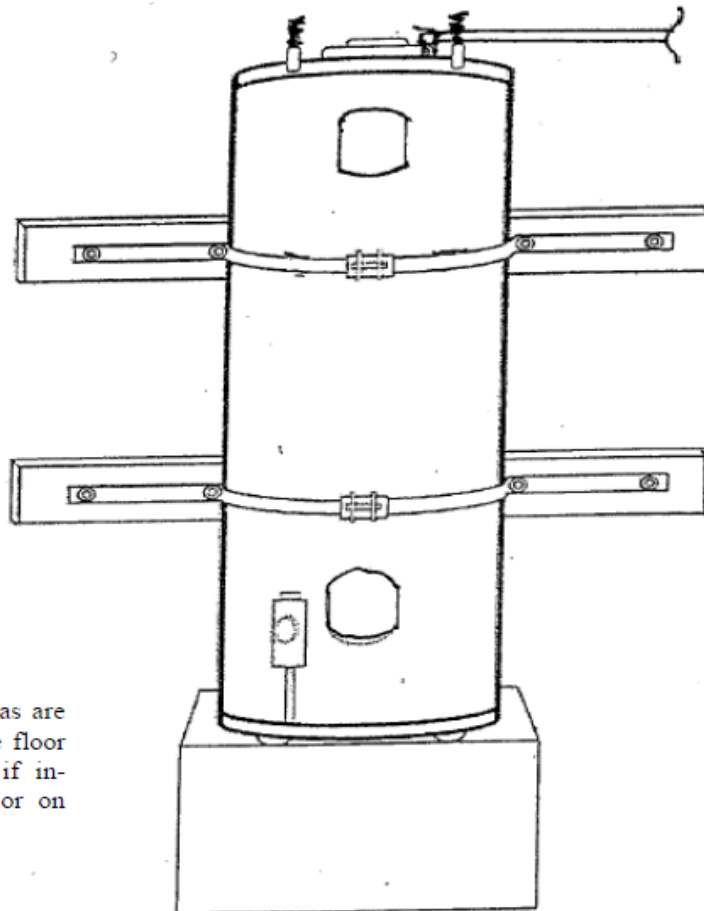
Shut off valve on cold water
 UPC 605.5

Flexible corrugated connectors
 max. 24" in length
 UPC 604.12

Insulate water lines
 Cold R-3
 Hot R-4
 WSEC 503.11

T/P valve drain line
 to run to exterior
 pointing down 6"
 min. to 24" max.
 from ground.
 UPC 608.5

Seismic straps top and
 bottom 1/3 of tank.
 UPC 508.2



When located in an
 attic, attic ceiling
 assemble, floor-
 ceiling assembly, or
 floor-sub floor
 assembly where damage
 may result from
 leaking, a corrosion
 resistant water-tight
 pan shall be installed
 beneath tank with
 3/4" min. drain pipe
 run to exterior
 (separate from T/P
 valve drain line).
 UPC 508.4

Tank ignition devices for gas are
 to be elevated $\geq 18"$ above floor
 and placed on R-10 pad if in-
 stalled in unheated space or on
 concrete floor.
 MC 304.3 WSEC 504.2.1

TABLE 5-1^{1,3}

Number of Bathrooms	1 to 1.5			2 to 2.5				3 to 3.5			
	1	2	3	2	3	4	5	3	4	5	6
Number of Bedrooms											
First Hour Rating ² Gallons	42	54	54	54	67	67	80	67	80	80	80

Notes:

¹ The first hour rating is found on the "Energy Guide" label.

² Non-storage and solar water heaters shall be sized to meet the appropriate first hour rating as shown in the table.

³ For replacement water heaters, see Section 101.4.1.1.1.